

Releasable Rope Socket

Technical Data Sheet

Assembly : 463-0188-017

The Omega Releasable Rope Socket can be used with either slick or braided wireline and is designed to release only in the event the toolstring becomes stuck downhole.

The device is activated by a drop bar which works in a similar manner to a go-devil or sniper.

When the drop bar contacts the release trigger, the collet releases the lower fishing neck. The upper housing and drop bar are retrieved to surface leaving a clean fishing neck. Simply changing the internal clamping mechanism converts the Omega Releasable Rope Socket from slickline to braided line.

Features

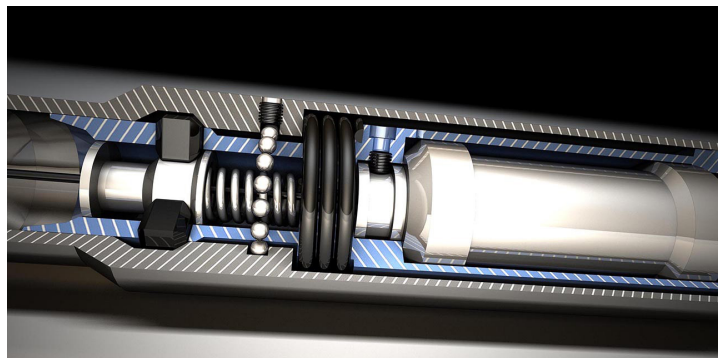
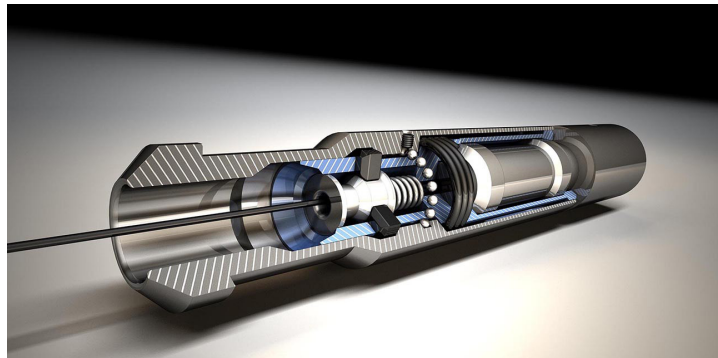
- Secondary fishing neck for recovery.
- Roller & Standard Drop Bars Available.
- Field redressable.
- Compatible with all standard Wireline connections.

Applications

Standard & high angle wireline operations.

Benefits

- Eases fishing operations by leaving clean fishing neck after activation.
- Reduced operational cost & risk during wireline operations.



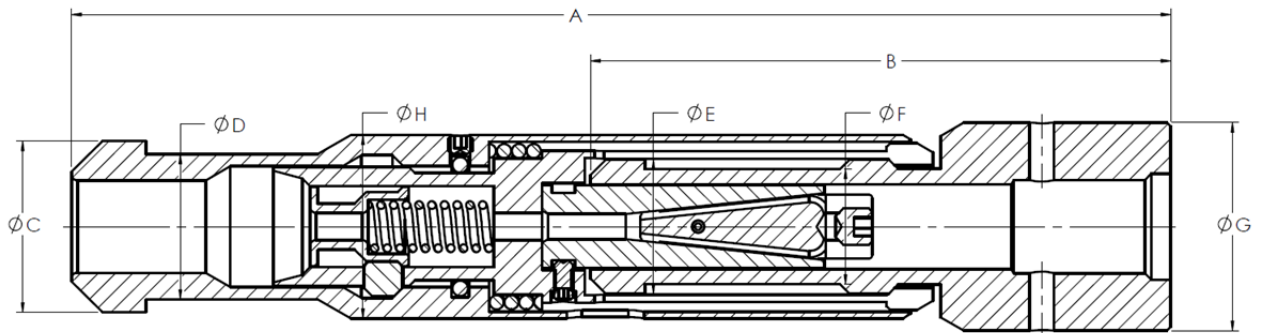
Releasable Rope Socket



Technical Data Sheet

Assembly : 463-0188-017

Description	1.875" Releasable Rope Socket
Assembly Number	463-0188-017
Lower Connection	1-1/16" UNS Box THD
Tool Max OD	1.875"
Fishing Neck Primary	1.750"
Fishing Neck Secondary	1.375"
Overall Length	11.815"
Wire Size	0.16"
Uses Trigger Gauge	1.875" (01-01703-00)
Weight	5.6 lbs



Dimensional Data	
A	11.815" (300.10mm)
B	6.535" (166.00mm)
C	1.750" (44.38mm)
D	1.480" (37.65mm)
E	1.375" (34.92mm)
F	1.175" (29.85mm)
G	1.875" (47.62mm)
H	1.875" (47.62mm)

INTERVENTION

Omega Completion Technology Ltd
 Omega House
 Kirkhill Road
 Kirkhill Industrial Estate
 Dyce
 Aberdeen
 AB21 0GQ
 Tel: +44 (0)1224 772744
 Fax: +44 (0)1224 775667
 Email: info@omega-completion.com
<http://www.omega-completion.com>