

Single Trip Junk Catcher

The Omega Single Trip Junk Catcher has been designed to be run in conjunction with the Omega Retrievable Plug range.

Deployed on the Omega Hydrostatic Setting Tool, the Junk Catcher remains located above the Bridge Plug, preventing debris from entering the plug which can compromise the flow path or the subsequent Plug retrieval.

The Single Trip Junk Catcher benefits from a flapper system that will close upon setting of the Bridge plug, isolating and protecting the plug.

Generous Flow Ports allow Hydraulic access should the Bridge Plug be run with a Hydraulic Equalisation Device such as the Omega ReAct™ EQ Valve or Pump Open Sub.

The Single Trip Junk Catcher can then be retrieved on Slickline with the appropriate GS Pulling tool.

Features

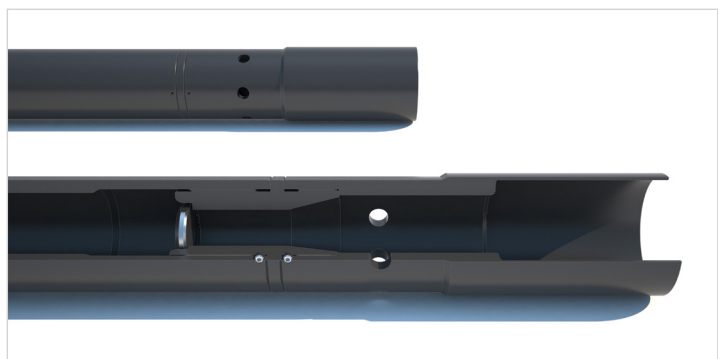
- Standard GS running pulling / profile.
- Isolation Flapper.
- Large Bypass Ports.

Applications

- Ensures debris free fishing neck for plug retrieval.
- Prevents debris mitigation.

Benefits

- Time and cost savings via single trip setting system.
- Simple field redressable design.
- Hydraulic access via large bypass ports.



Technical Specifications

Dimension	3.50" Plug	4.50" Plug	5.50" Plug	7.00" Plug
Dim `A` Overall Length	1156 mm (45.5in)	1142 mm (45.0in)	1457 mm (57.4in)	1635 mm (64.37in)
Dim `B` Max O/Dia	65.27 mm (2.57in)	86.36 mm (3.4in)	106.68 mm (4.2in)	139.70 mm (5.5in)
Dim `C` Min I/Dia	32 mm (1.25in)	39.65 mm (1.56in)	68.00 mm (2.67in)	70.50 mm (2.77in)
Dim `D` Fish Neck Size	2.50 in GS	3.50 in GS	3.50 in GS	5.00 in GS
Dim `E` Min Flow Area (Taken from Plug minimum flow area)	787 mm ² (1.22 in ²)	1406 mm ² (2.18 in ²)	2025 mm ² (3.14 in ²)	3780 mm ² (5.86 in ²)

